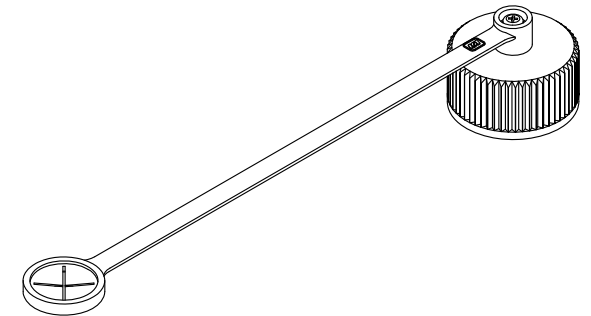
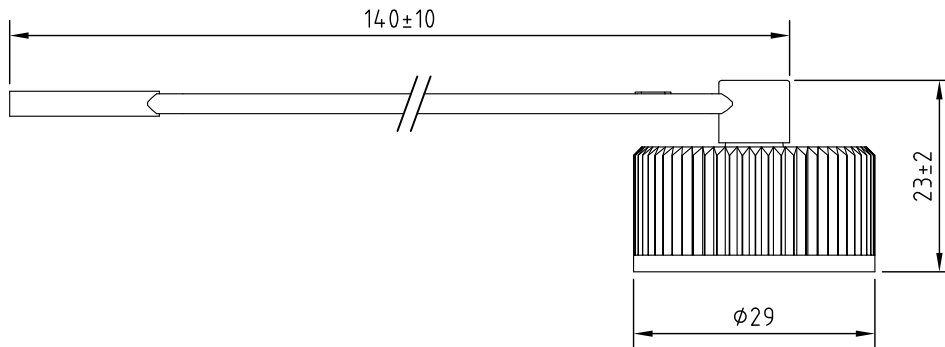
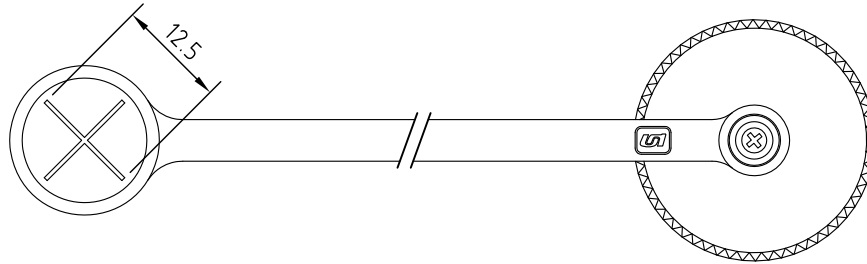


REV.	Description	Date
1	dimensions revised	2020/2/5
2	dimension tolerance revised	2024/1/25



5	Screw	SUS
4	Washer	SUS
3	Cable tie	PVC
2	Pad	Rubber
1	Cap	PA
Item	Description	Material&Plating

RoHS



Unicable Co., Ltd. 國陽電業有限公司

5F., No. 111-33, Sec. 4, San Ho Road., San Chung Dist., New Taipei City, Taiwan
<http://www.unicable.com.tw> Tel:+886-2-2286-2122 Fax:+886-2-2286-1010

PART NO.	3111A-84C110-01/UT-D370C-S		
DATE	2024/1/25	UNIT	MM
DWN	GINA	REV.	2
CHK			

ITEM	Description	CHK
	Waterproof Cap	